

# Max™ & UltraMax™ SERIES



## FEATURES

- Suitable for many high-pressure applications
- Super thick steel construction
- Patented stainless steel water connection
- Virgin polypropylene liner
- Two part polyurethane, epoxy primed paint finish
- Leak free, o-ring sealed air valve cap
- Comprehensive testing
- No maintenance
- Single diaphragm design
- Available in 16 bar and 25 bar maximum pressure

## SPECIFICATIONS

### UltraMax™ Series Models (25 bar)

BSP	NPT	Connection	Nominal Volume		Shipping (box) Volume		Shipping (box) Weight		Dimensions					
			liter	gal	m <sup>3</sup>	ft <sup>3</sup>	kg	lbs	A		B		C	
									cm	inches	cm	inches	cm	inches
<b>Inline Models</b>														
UMB-8LX	UMN-8LX	1"	8	2.1	0.014	0.49	3.16	6.97	31.30	12.32	20.30	7.99		
UMB-24LX	UMN-24LX	1"	24	6.3	0.042	1.48	8.04	17.72	44.70	17.60	29.30	11.54		
<b>Vertical Models w/ base</b>														
UMB-100LV	UMN-100LV	1"	100	26.3	0.16	5.69	36.81	81.15	81.3	32.24	43.5	17.13	12.9	5.08

All connections are made of stainless steel. Tank precharge: 4.0 bar / 58 psi

Note: Minor dimensional variation may occur

Maximum working pressure: 25 bar / 362 psi. Maximum working temperature: 90°C / 194°F

# SPECIFICATIONS

## Max™ Series Models (16 bar)

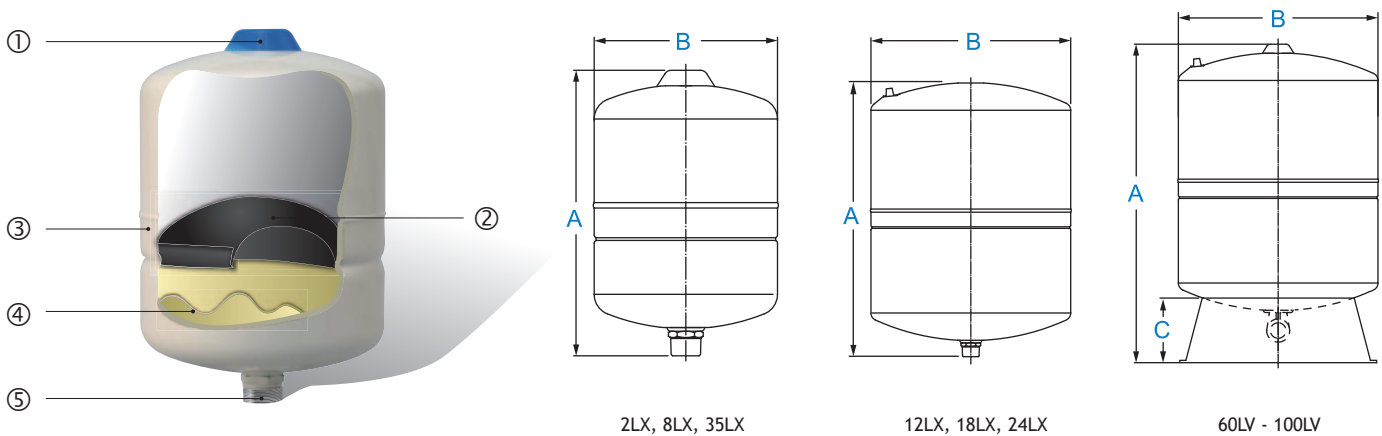
BSP	NPT	Connec- tion	Nominal Volume		Shipping (box) Volume		Shipping (box) Weight		Dimensions					
									A		B		C	
		BSP / NPT	liter	gal	m <sup>3</sup>	ft <sup>3</sup>	kg	lbs	cm	inches	cm	inches	cm	inches
<b>Inline Models</b>														
MXB-2LX*	MXN-2LX*	1"	2	0.5	0.06	2.12	13.51	29.78	20.90	8.23	12.60	4.96		
MXB-8LX	MXN-8LX	1"	8	2.1	0.014	0.49	2.96	6.53	31.30	12.32	20.20	7.95		
MXB-12LX	MXN-12LX	1"	12	3.2	0.023	0.81	3.20	7.05	36.81	14.49	23.00	9.06		
MXB-18LX	MXN-18LX	1"	18	4.7	0.03	1.06	4.85	10.69	36.81	14.49	27.90	10.98		
MXB-24LX	MXN-24LX	1"	24	6.3	0.042	1.48	6.27	13.82	44.70	17.60	29.00	11.42		
MXB-35LX	MXN-35LX	1"	35	9.2	0.06	1.95	8.73	19.25	48.10	18.90	31.80	12.52		
<b>Vertical Models w/ base</b>														
MXB-60LV	MXN-60LV	1"	60	15.8	0.098	3.46	14.84	32.72	62.00	24.41	39.00	15.35	12.70	5.00
MXB-80LV	MXN-80LV	1"	80	21.0	0.13	4.59	20.32	44.80	81.50	32.09	39.00	15.35	12.70	5.00
MXB-100LV	MXN-100LV	1"	100	26.3	0.16	5.65	26.30	57.98	80.40	31.65	43.10	16.97	12.90	5.08

\* Volume and weight for MXB-2LX and MXN-2LX mentioned for a box with 12 pieces.

Note: Minor dimensional variation may occur

All connections are made of stainless steel. Tank precharge: 4.0 bar / 58 psi

Maximum working pressure: 16 bar / 232 psi. Maximum working temperature: 90°C / 194°F



- ① Leak free, o-ring sealed air valve cap
- ② Single diaphragm design
- ③ Two part polyurethane, epoxy primed paint finish
- ④ Virgin polypropylene liner
- ⑤ Patented stainless steel water connection

